

2025 PRODUCT RANGE

BRUNNER®

bavarian passion.

waterbearing device with boiler module possible

Fireplaces 5.0 BKH green



Fireplaces 4.2



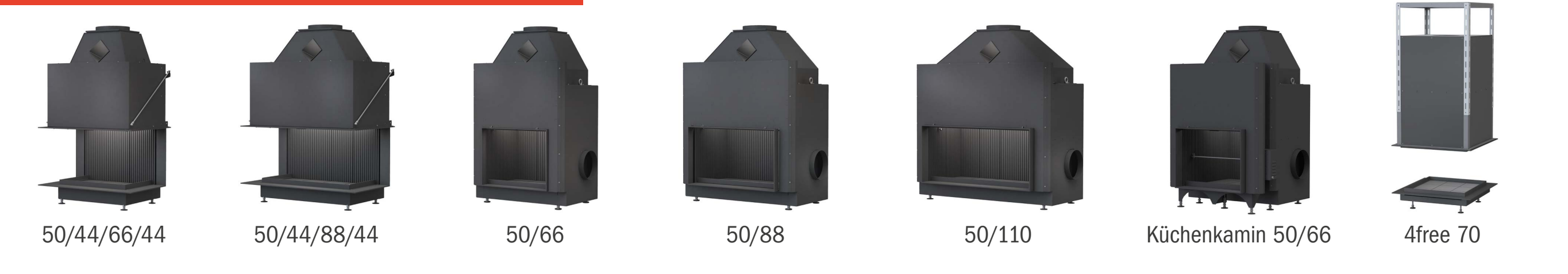
Waterbearing Fireplaces



Tiled Stoves



Urfeuer® - open fireplaces



Kitchen



SCANDline



Masonry heaters



Waterbearing stoves



System fireplaces



Iron Dog®



System stoves



Drehfeuer



Controls



Heating centre & Control unit



BRUNNER®

CONTACT

phone: +49 8721-7710
email: info@brunner.de

2025 DISCONTINUED ITEMS

BRUNNER®

bavarian passion.

Fireplaces series 4.1



42/42/42/42



51/25/101/25



51/66/40/66



57/25/121/25



70/25/40/25



42/57/30



45/82/48



38/86/36



45/101/40



53/121/50



57/82/48



70/33/33



53/121



38/86



45/101



38/86



45/101



53/88

System fireplaces series 4.1



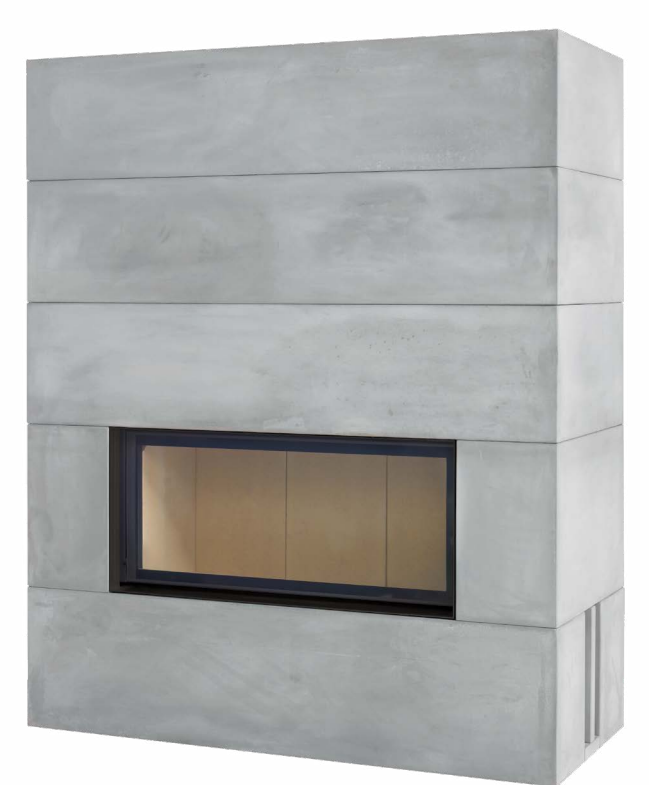
BSK 03



BSK 12



BSK 06 Tunnel



BSK 06

Waterbearing fireplaces series 4.1



45/67/44



38/86 Tunnel



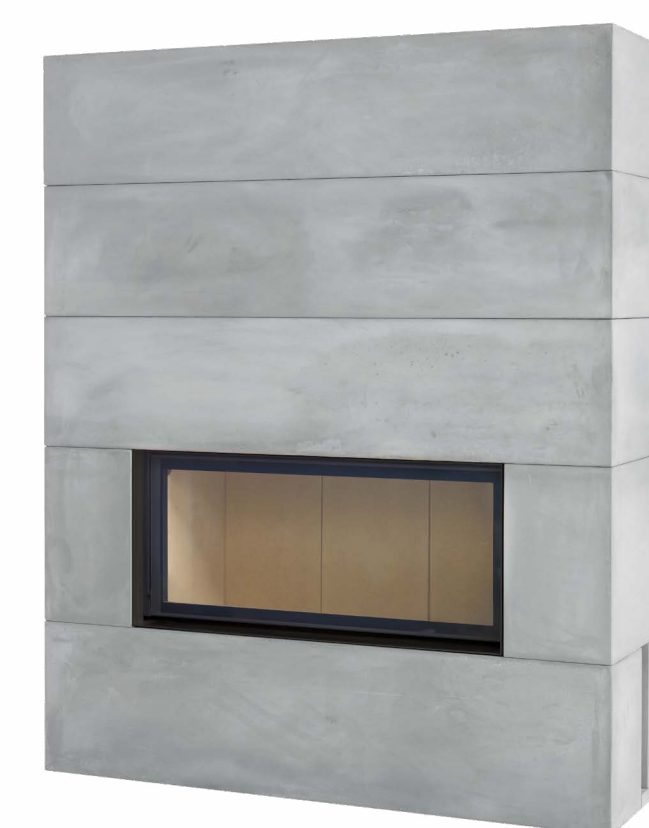
45/101 Tunnel



38/86



45/101



BSK 06



BSK 06 Tunnel



BSK 02

Notes on discontinued items:

This overview shows our fireplace inserts of series 4.1 that are discontinued from our product range and will no longer be reproduced. The exact remaining stock can be found in a separate [availability list](#) or requested directly from our sales department. Please note: For some inserts, only certain versions are still available - e.g. left- or right-opening versions for corner models, certain frame designs or glass variants. You will also find those details in the [separate list](#).

BRUNNER®

CONTACT

phone: +49 8721 771

email: info@brunner.de