

## FIREPLACE INSERTS FROM BRUNNER



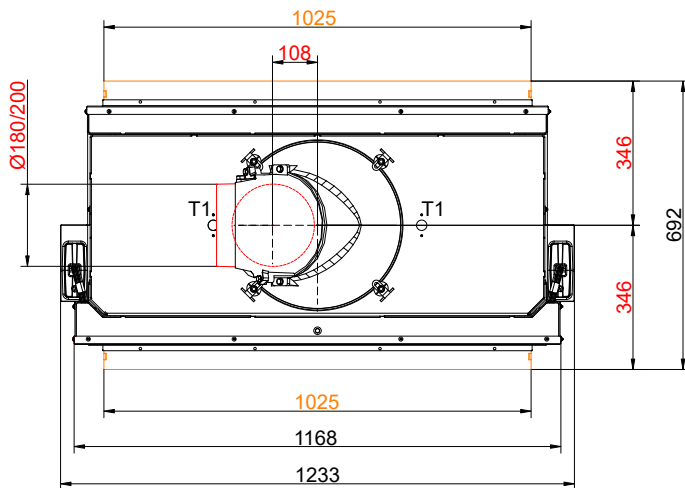
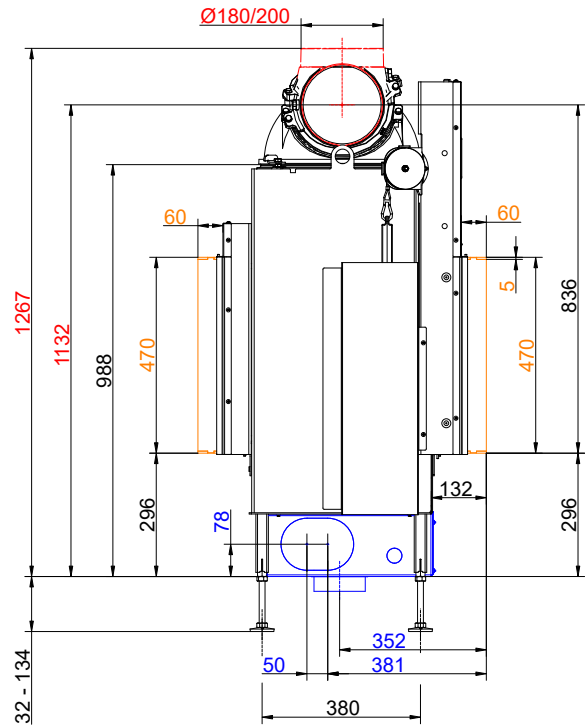
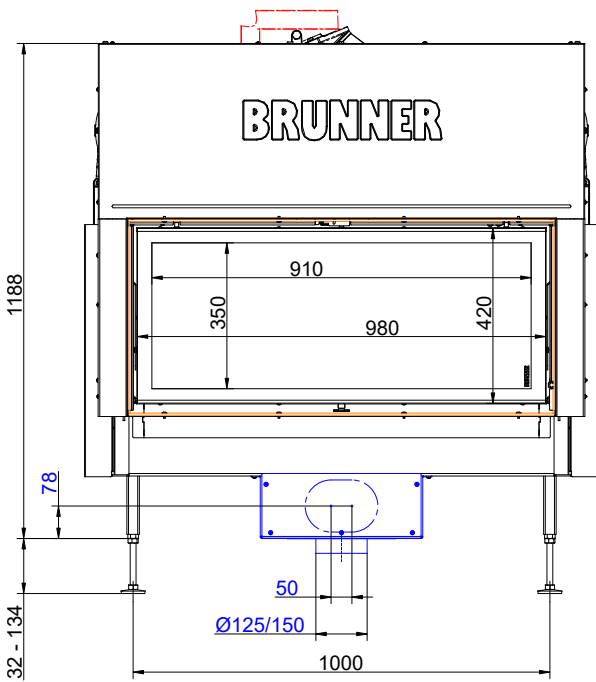
### BKH Tunnel 42-98 green

State: 2025-02-27



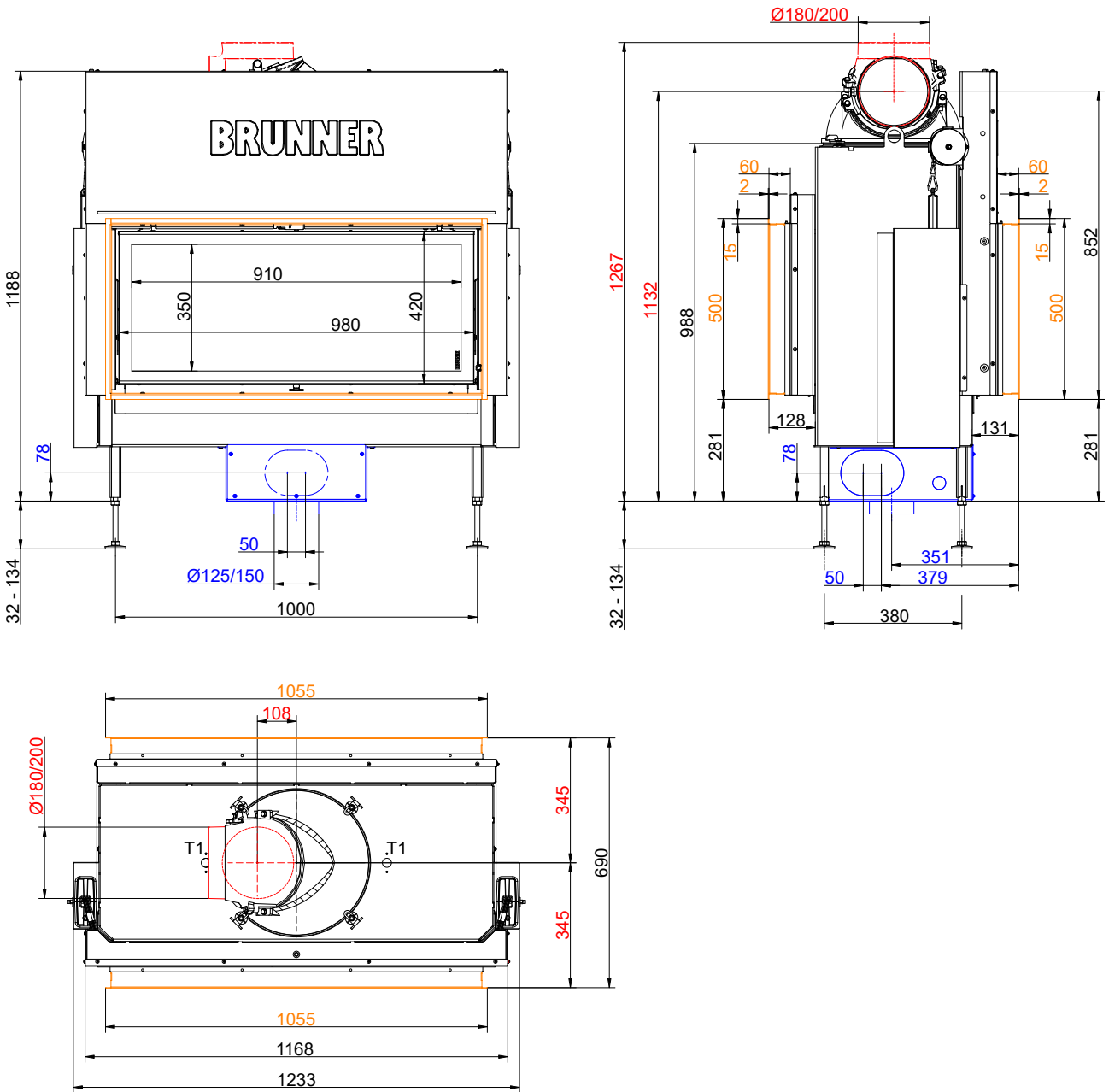
# BRUNNER®

# Dimension sheets - BKH Tunnel 42-98 green



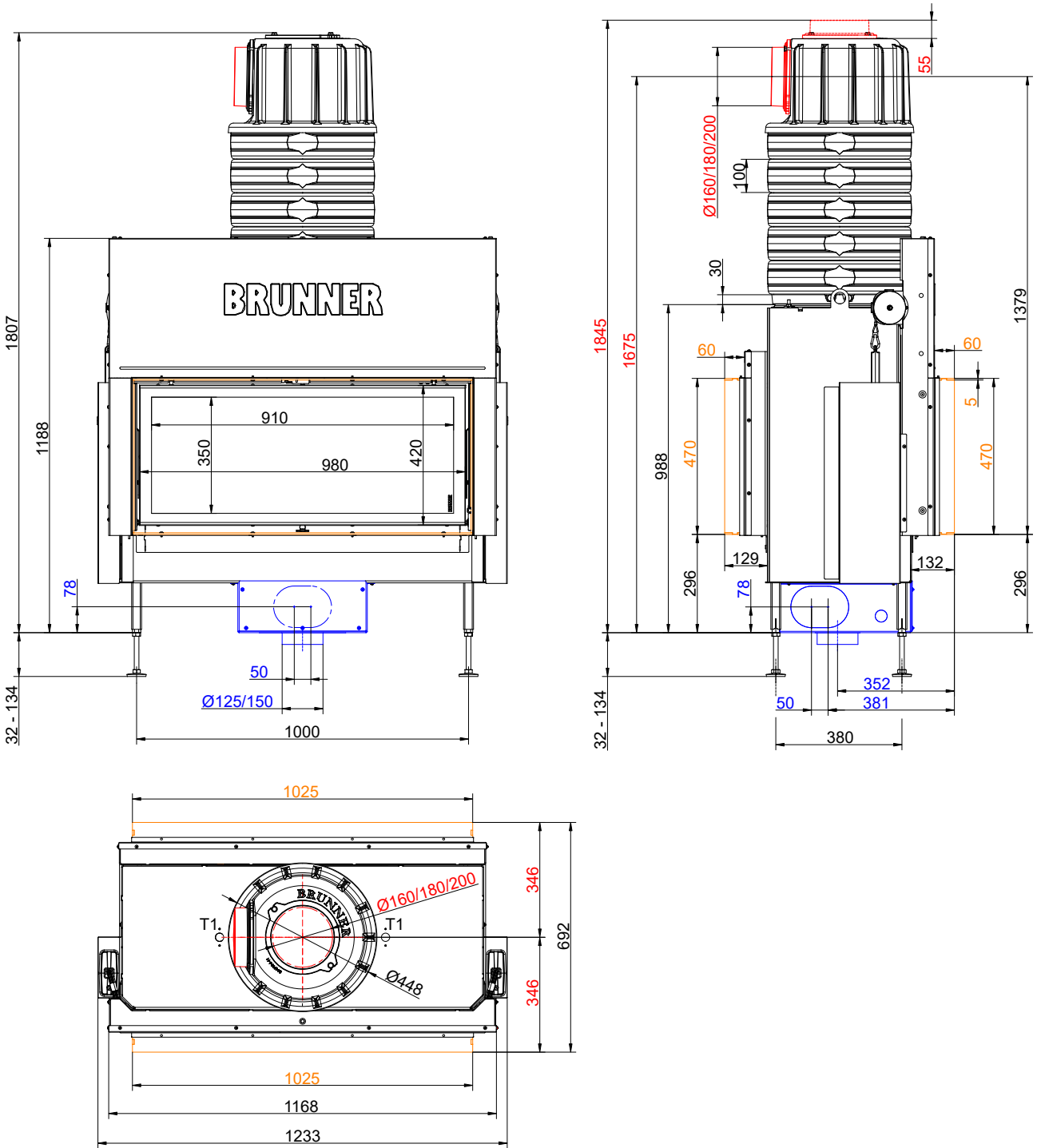
... lifting door/tilting door with mounting frame and cast iron dome

# Dimension sheets - BKH Tunnel 42-98 green



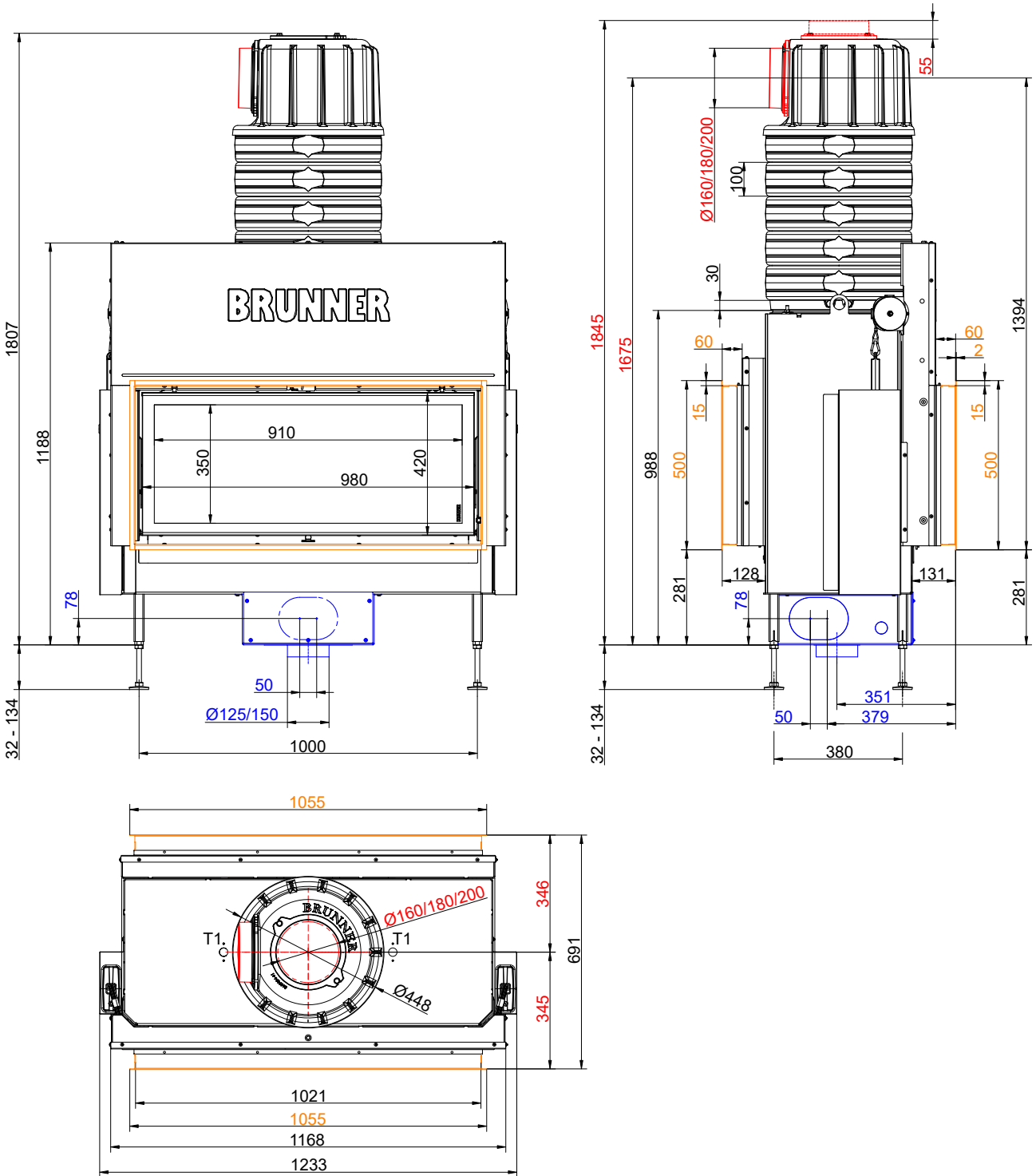
... lifting door/tilting door with door frame and cast iron dome

# Dimension sheets - BKH Tunnel 42-98 green



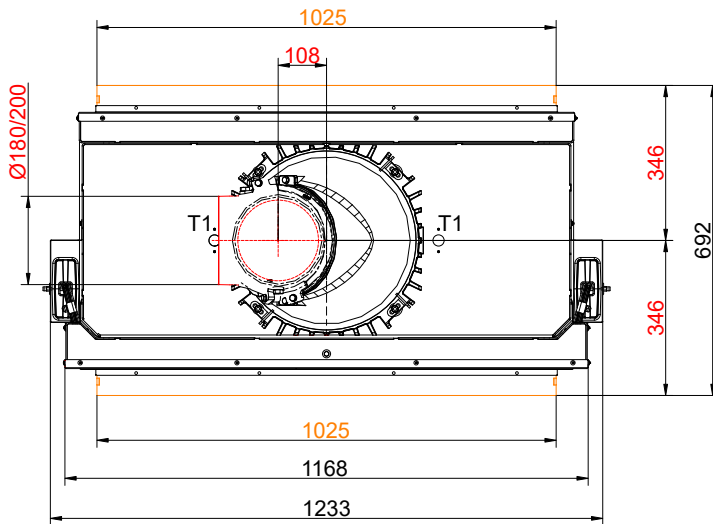
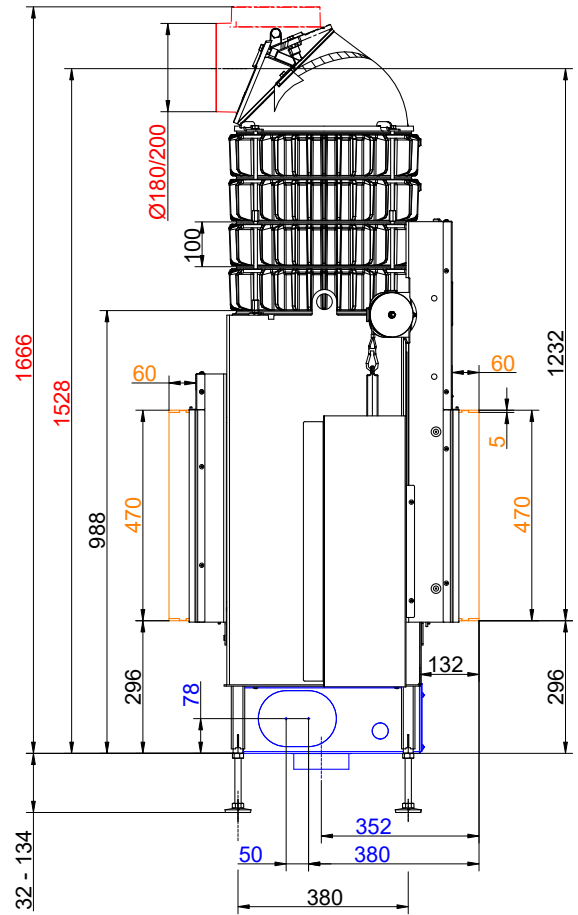
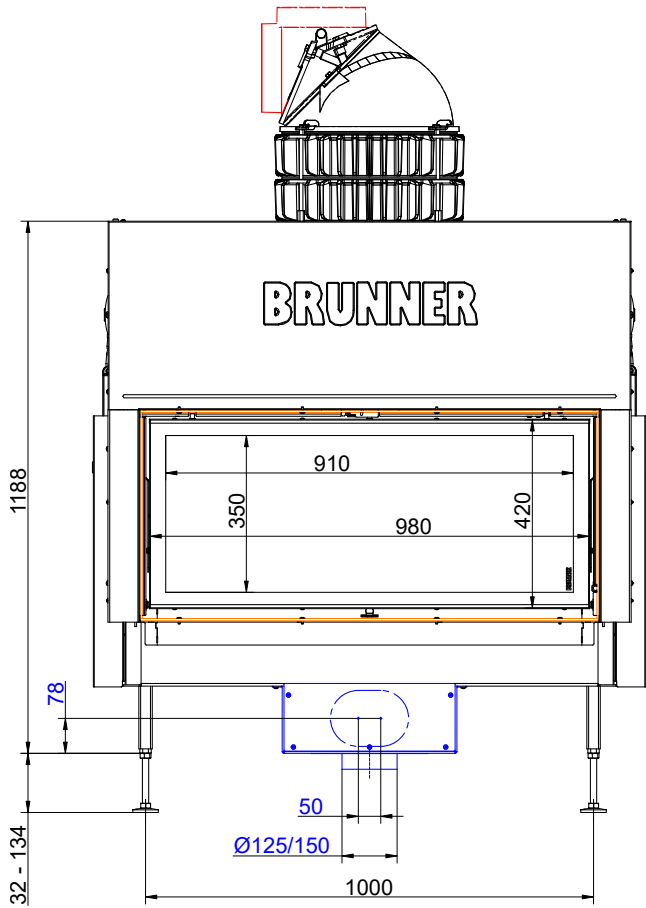
... lifting door/tilting door with mounting frame and MAS

# Dimension sheets - BKH Tunnel 42-98 green



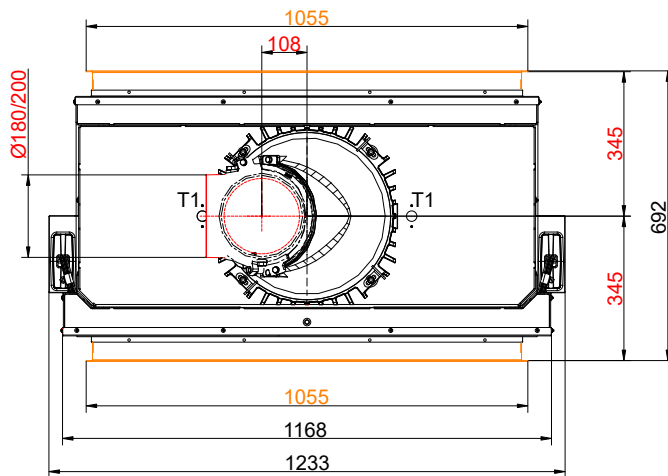
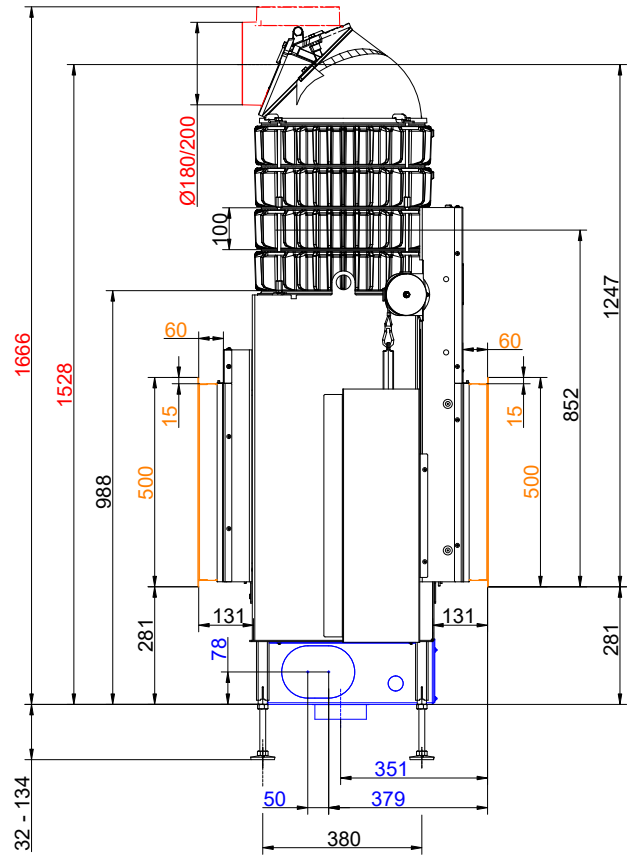
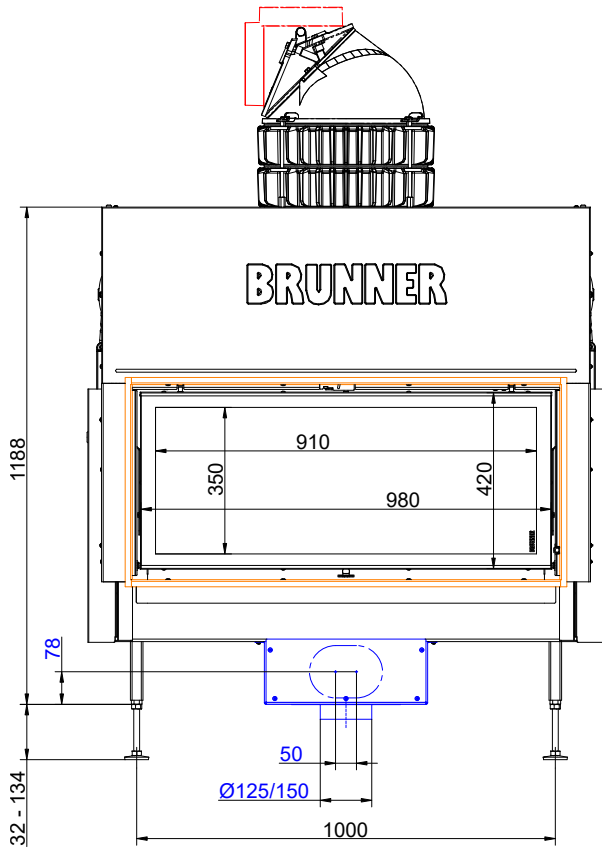
... lifting door/tilting door with door frame and MAS

# Dimension sheets - BKH Tunnel 42-98 green



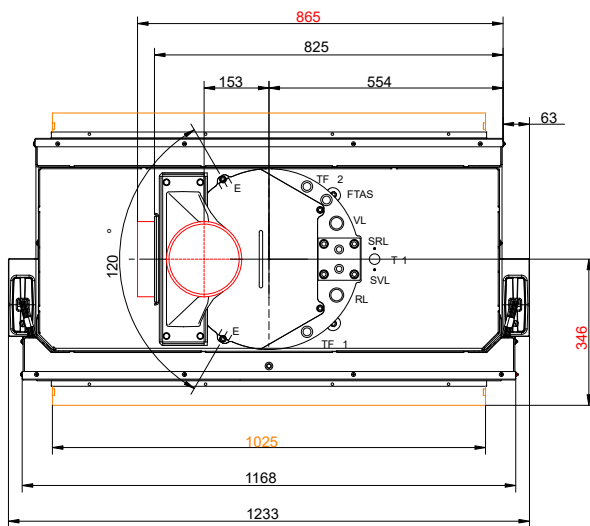
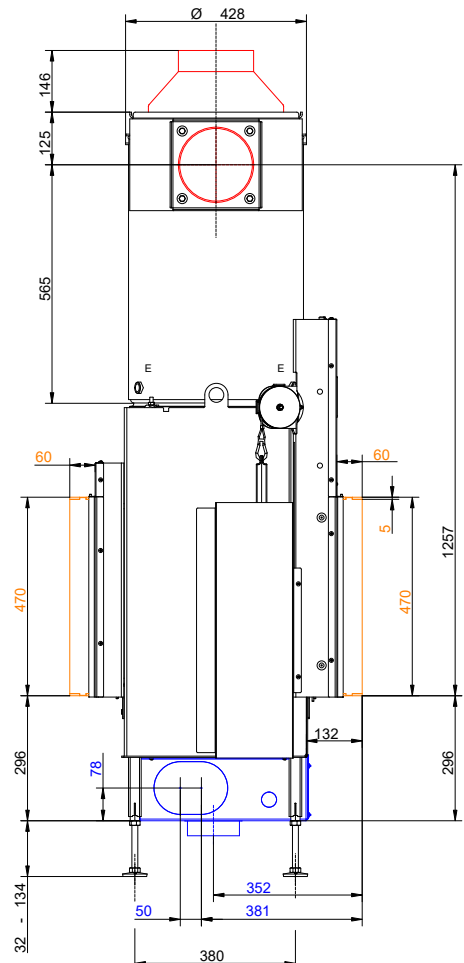
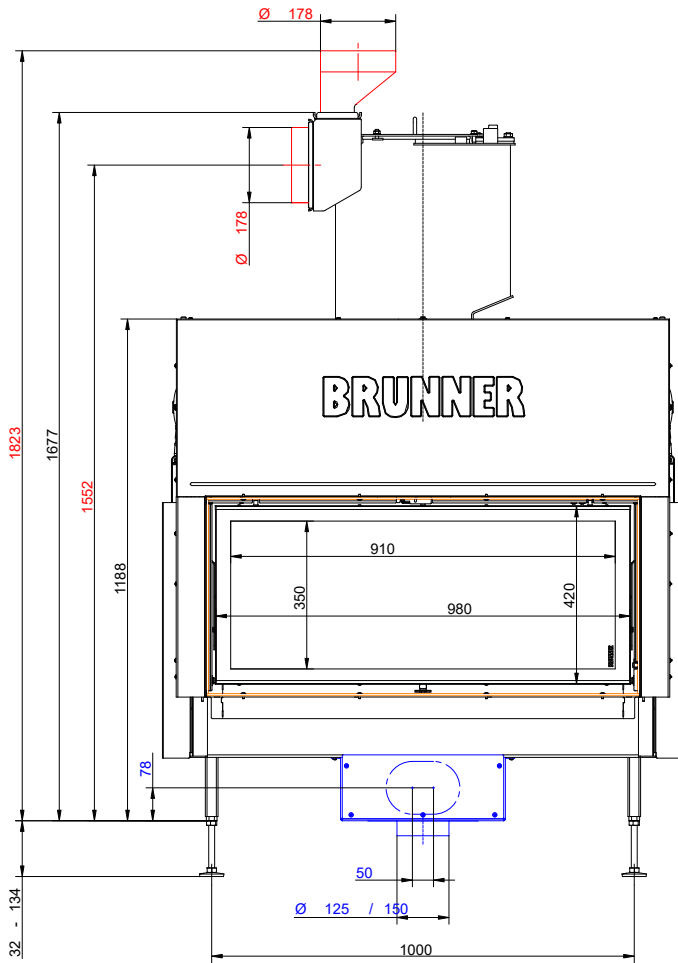
... lifting door/tilting door with mounting frame and cast iron heat exchanger rings + dome

# Dimension sheets - BKH Tunnel 42-98 green



... lifting door/tilting door with door frame and cast iron heat exchanger rings + dome

# Dimension sheets - BKH Tunnel 42-98 green



- VL supply 1"ext. th.
- RL return boiler 1"ext.th.
- E drain 1/2"int. th.
- SVL supply cooling pipe outlet ext.th.
- SRL return cooling pipe outlet 1/2"ext.th.
- FTAS socket for thermal safety sensor int.th.
- TF socket 1/2" for sensor int.th.

## BKH Tunnel 42-98 ... with mounting frame and Boiler module

We suggest for CAD planning Palette CAD. Permanent updated drawings: [www.brunner.de](http://www.brunner.de)  
 Frames/ flue gas outlet connection/ combustion air supply connection/ front variants/ support bearing are marked in color.



# Planning and installation - BKH Tunnel 42-98 green

| Tested according to   |                   | EN 13229 W                | EN 13229 WA                     |
|---|-------------------|---------------------------|---------------------------------|
| Values measured at  |                   | Rated power <sup>1)</sup> | Storage operation <sup>2)</sup> |
| <b>Data for functional demonstration</b>  |                   |                           |                                 |
| Rated heat power  | kW                | 11                        | -                               |
| Fire wood volume  | kg/h              | 3.3                       | 4.5                             |
| Combustion performance  | kW                | 13.0                      | 22                              |
| Flue gas mass flow  | g/s               | 13.0                      | 19                              |
| Flue gas temperature after:   |                   |                           |                                 |
| Cast iron dome  | °C                | 250                       | 350                             |
| 4 x cast iron heat exchanger rings + dome   | °C                | 220                       | 260                             |
| 5 x accumulation rings incl. MAS casted cover <sup>3)</sup>   | °C                | -                         | 260                             |
| 2,0 m ceramic accumulator <sup>4)</sup>   | °C                | -                         | 180                             |
| 1,4 m accumulation stones (MSS) <sup>4)</sup>   | °C                | -                         | 180                             |
| Boiler module   | °C                | 208                       | -                               |
| Necessary supply pressure   | Pa                | 12                        | 12                              |
| Fuel amount   | kg                | 2.5                       | 5.0                             |
| Combustion air consumption  | m <sup>3</sup> /h | 32                        | 48                              |
| Combustion air connection Ø   | mm                | 125                       | 125                             |
| <b>Heat distribution</b>  |                   |                           |                                 |
| Insert / reheating surface  | %                 | 20 / 30                   | 20 / 30                         |
| glass ceramic / glass ceramic coated (GKB)  | %                 | 50 / 40                   | 50 / 40                         |
| <b>Cross-section of gratings <sup>5)</sup></b>  |                   |                           |                                 |
| exhaust warm air  | cm <sup>2</sup>   | 800                       | 800                             |
| Recirculation air   | cm <sup>2</sup>   | 800                       | 800                             |
| <b>Minimal oven surface for closed construction type</b>  |                   |                           |                                 |
| Heat dissipating surface  | m <sup>2</sup>    | 5.5                       | 5.5                             |
| <b>Minimal distances of the fireplace</b>   |                   |                           |                                 |
| Heat protection panel for cladding, insulation layer  | cm                | -                         | -                               |
| to cladding, insulation layer   | cm                | 5                         | 5                               |
| to the floor (non-combustible)  | cm                | 3                         | 3                               |
| <b>Fire protection with active rear ventilation, intermediate space</b>   |                   |                           |                                 |
| Minimum insulation thickness for construction : insulation material   5 cm rear active ventilation   wall <sup>6)</sup> |                   |                           |                                 |
| for mounting wall (combustible/non-combustible)   | cm                | 5                         | 5                               |
| Minimum insulation thickness for construction: insulation material   30 cm closed gap   ceiling <sup>7)</sup>           |                   |                           |                                 |
| for ceiling (combustible)   | cm                | 10                        | 10                              |
| <b>Fire protection with adequate insulation material</b>  |                   |                           |                                 |
| Minimum insulation thickness for construction: insulation material   mounting wall, ceiling, floor <sup>7)</sup>        |                   |                           |                                 |
| with heat protection panel, mounting wall (non-combustible) <sup>8)</sup>   | cm                | 6                         | 6                               |
| with heat protection panel, mounting wall (combustible) <sup>8)</sup>   | cm                | 12                        | 12                              |
| Mounting wall (non-combustible)   | cm                | 8                         | 8                               |
| Mounting wall (combustible)   | cm                | 18                        | 18                              |
| Ceiling (non-combustible)   | cm                | 8                         | 8                               |
| Ceiling (combustible)   | cm                | 22                        | 22                              |
| Floor (non-combustible)   | cm                | 0                         | 0                               |
| <b>Minimum distances in front of the combustion chamber, glass ceramic / glass ceramic coated (GKB)</b>                 |                   |                           |                                 |
| for combustible parts   | cm                | ≥ 120 / ≥ 80              | ≥ 120 / ≥ 80                    |

# Planning and installation - BKH Tunnel 42-98 green

---

## Weight

---

|  |    |               |
|--|----|---------------|
| Fireplace insert + combustion chamber inner lining<br>chamotte/cast iron | kg | 224 + 77 / 87 |
|--|----|---------------|

---

## Meets requirement/limit values for:

---

|              |                                  |
|--------------|----------------------------------|
| EU / Germany | Ecodesign / 1. BImSchV (Stufe 2) |
|--------------|----------------------------------|

---

- 1) Indications to "Rated power" determined with 4 heat exchanger rings made of cast iron and Ø200 dome.
- 2) Indications to "Storage operation" for the manual execution of the reheating surface (guide values).
- 3) Damper flap recommended
- 4) Standard value or calculated functional proof required.
- 5) Air cross-sections if the specified nominal heat output is desired as the heat output.
- 6) Fire safety: Values determined with air cross-sections recorded for testing purposes; active rear ventilation, stove shell is heat emitting.  
Insulation thickness 5 cm calcium silicate board (brands: Promasil, Silka, Skamol) and 5 cm active rear ventilation with diagonally positioned air circulation and supply air openings of 75 cm<sup>2</sup> (5x15 cm) each. For detailed design, see assembly instructions.
- 7) Fire safety: values determined in safety test with air cross-sections recorded for testing purposes; stove shell is heat emitting.  
Information on replacement insulation material with calcium silicate boards (brands: Promasil, Silka, Skamol).  
The specifications for non-combustible walls/ceilings and the structure with a closed gap (30 cm) correspond to the specifications of TROL (Germany), see assembly instructions.
- 8) Heat protection plate: accessory for BKH flat/tunnel/corner versions; factory-fitted for BKH panoramic fireplaces.