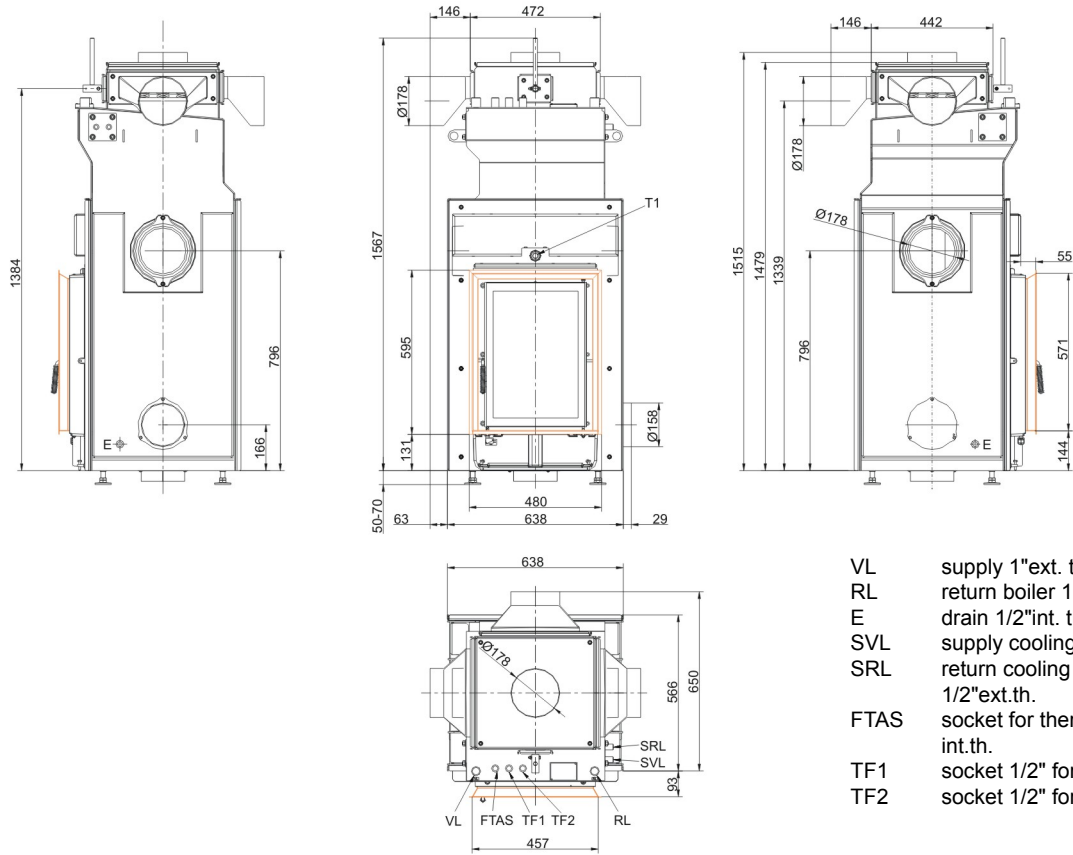
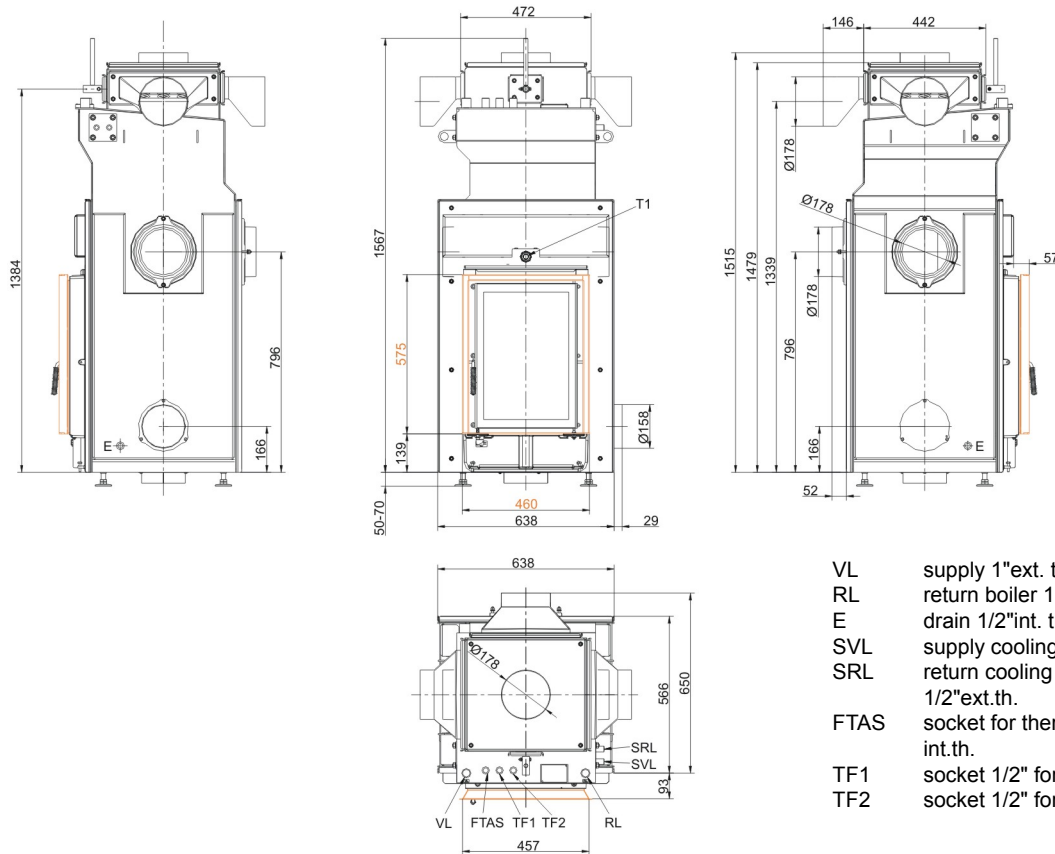


Dimension sheets - HKD 2.2 SK with cleaning mechanism

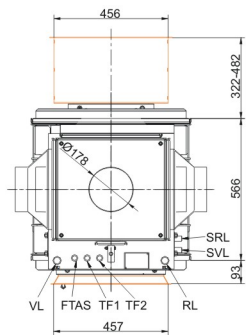
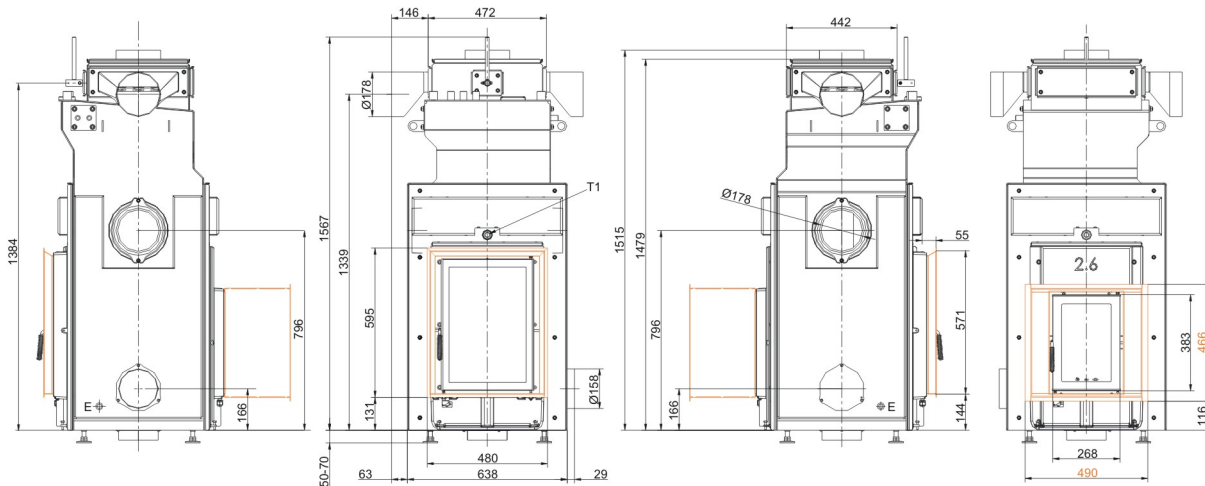


... flat with door frame



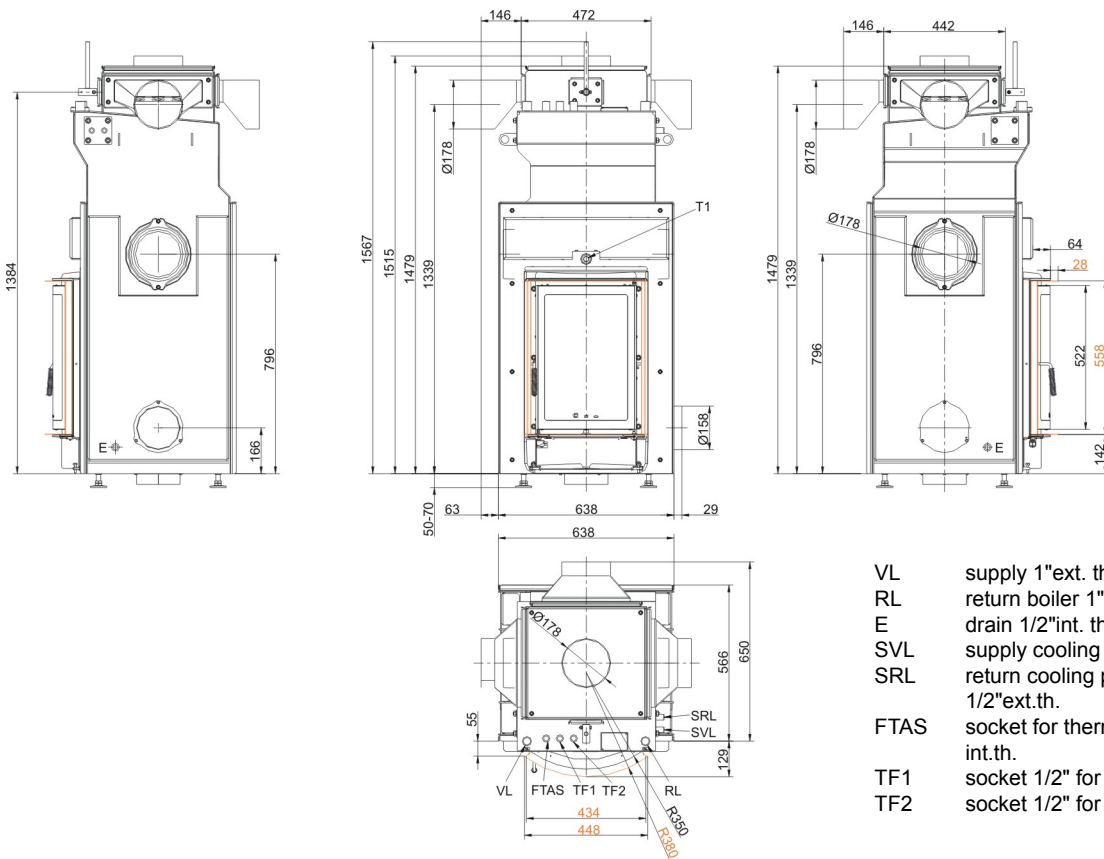
... flat with mounting frame, burn-through

Dimension sheets - HKD 2.2 SK with cleaning mechanism



- VL supply 1" ext. th.
- RL return boiler 1" ext. th.
- E drain 1/2" int. th.
- SVL supply cooling pipe outlet ext. th.
- SRL return cooling pipe outlet 1/2" ext. th.
- FTAS socket for thermal safety sensor int. th.
- TF1 socket 1/2" for sensor int. th.
- TF2 socket 1/2" for sensor int. th.

... flat with door frame, DHT



- VL supply 1" ext. th.
- RL return boiler 1" ext. th.
- E drain 1/2" int. th.
- SVL supply cooling pipe outlet ext. th.
- SRL return cooling pipe outlet 1/2" ext. th.
- FTAS socket for thermal safety sensor int. th.
- TF1 socket 1/2" for sensor int. th.
- TF2 socket 1/2" for sensor int. th.

... round with door frame