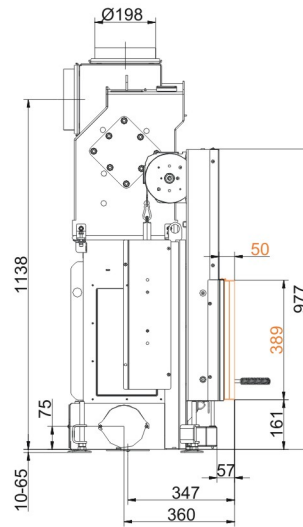
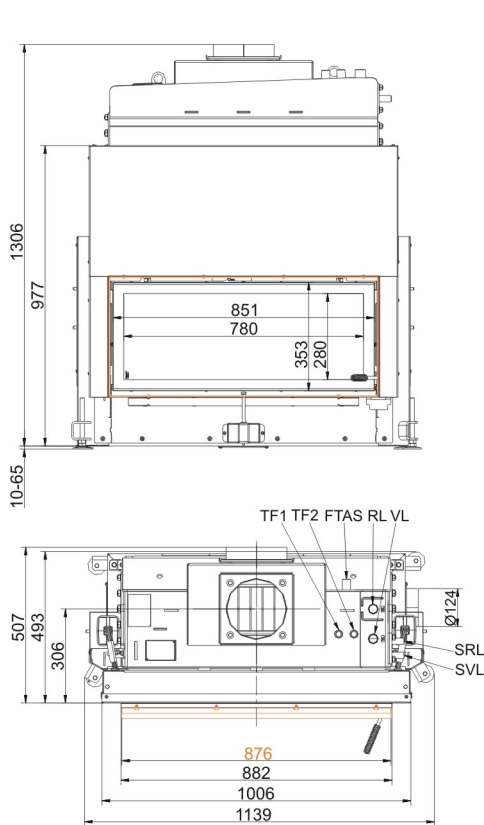
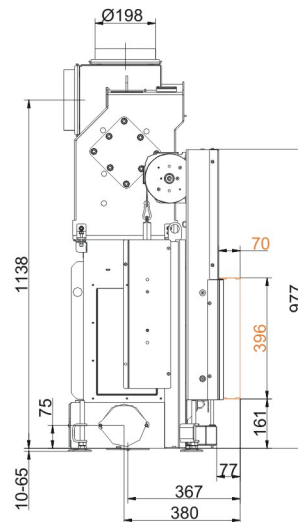
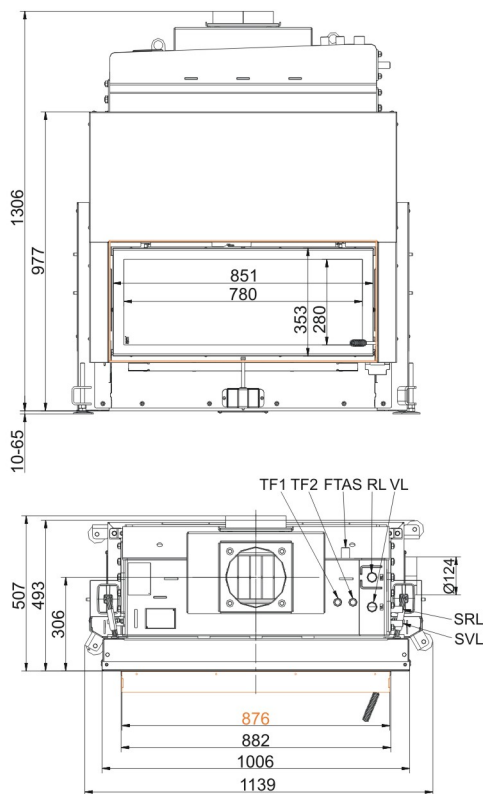


Dimension sheets - Architektur 38/86 with top-mount boiler lifting door (easy-lift)



- VL supply 1"
- RL return boiler 1"
- E drain 1/2"
- SVL supply cooling pipe outlet
- SRL return cooling pipe outlet 1/2"
- FTAS socket for thermal safety sensor
- TF1 socket 1/2" for sensor
- TF2 socket 1/2" for sensor

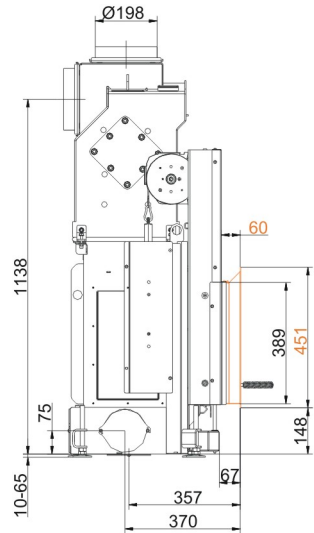
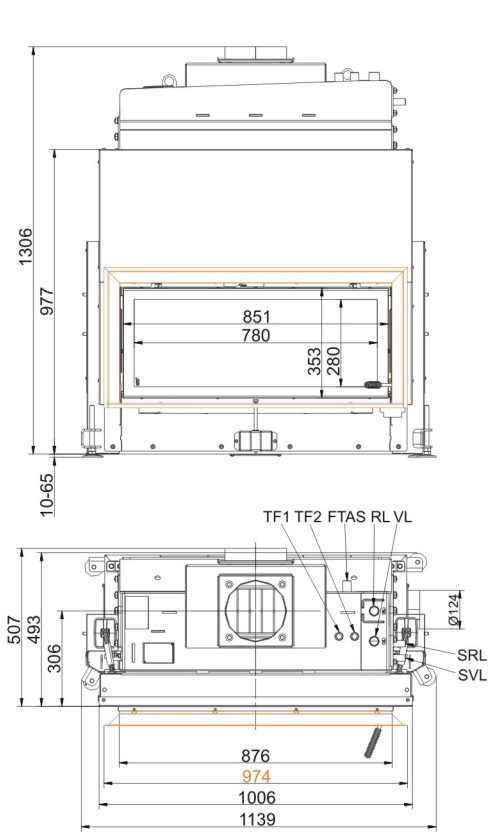
... with mounting frame 50 mm



- VL supply 1"
- RL return boiler 1"
- E drain 1/2"
- SVL supply cooling pipe outlet
- SRL return cooling pipe outlet 1/2"
- FTAS socket for thermal safety sensor
- TF1 socket 1/2" for sensor
- TF2 socket 1/2" for sensor

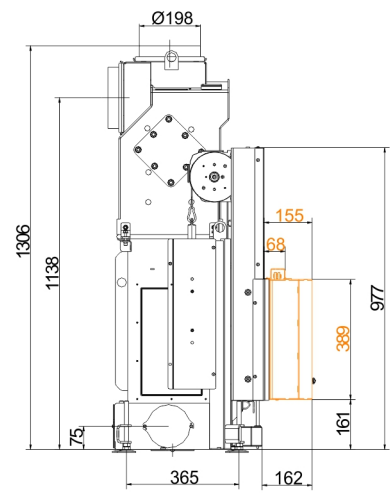
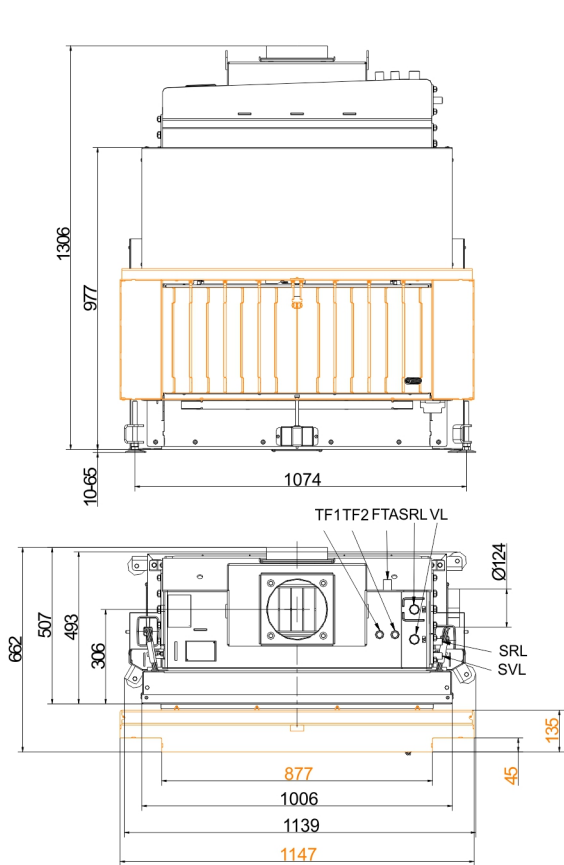
... with mounting frame 70 mm

Dimension sheets - Architektur 38/86 with top-mount boiler lifting door (easy-lift)



- VL supply 1"
- RL return boiler 1"
- E drain 1/2"
- SVL supply cooling pipe outlet
- SRL return cooling pipe outlet 1/2"
- FTAS socket for thermal safety sensor
- TF1 socket 1/2" for sensor
- TF2 socket 1/2" for sensor

... with door frame



- VL supply 1"
- RL return boiler 1"
- E drain 1/2"
- SVL supply cooling pipe outlet
- SRL return cooling pipe outlet 1/2"
- FTAS socket for thermal safety sensor
- TF1 socket 1/2" for sensor
- TF2 socket 1/2" for sensor

... with heatSTOP®

We suggest for CAD planing Palette CAD. Permanent updated drawings: www.brunner.de
 Frames / front versions are marked colored.